

# 21M CTE ZED 21.3 JHL - TRUCK MOUNTED PLATFORM



Working Height: 21m



Maximum Outreach: 10m



Cage Capacity: 2 or SWL



Safe Working Load: 300kgs



GVW: 3,500kgs



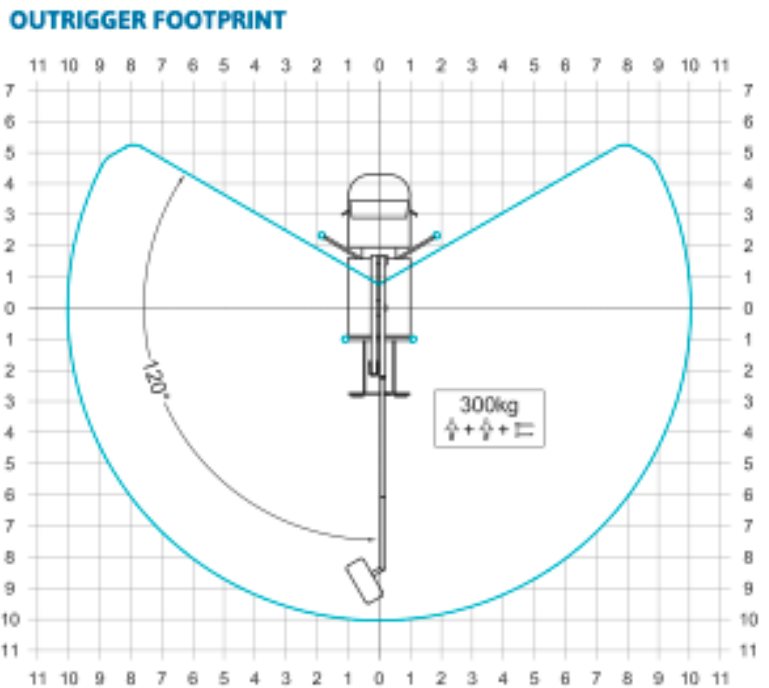
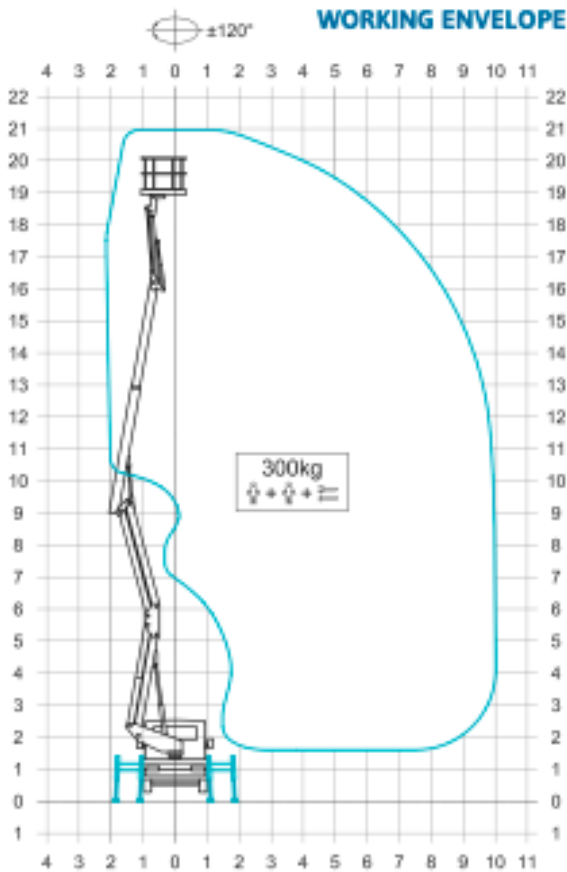
IPAF Category 1B

The CTE 21.3JHL is easy to use, with simple and intuitive controls and compact for easy handling. This is the first semi variable Zed21.3JHL mounted on the Iveco Daily. It boasts 10m of unrestricted outreach with 300kgs basket capacity.

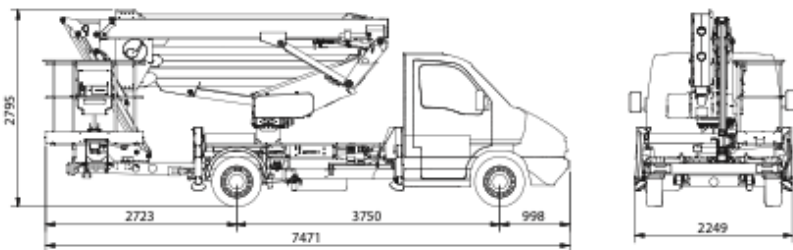
# 21M CTE ZED 21.3 JHL - TRUCK MOUNTED PLATFORM



The simplicity of the operations together with a big basket capacity and unrestricted outreach make this new model a very popular choice for the self-drive market. With a GVW of 3,500kgs, this vehicle can be driven on a standard licence.



\* outreach and height max values and repeatability can change within ± 3% due to manufacturing variation and working condition.



- Max Working Height: 21m
- Max Horizontal Outreach: 10m
- Max Cage Floor Height: 19m
- Max Safe Working Load: 300kg
- Max Persons in Cage: 2
- Max GVW: 3,500kg

- Cage Dimensions: 1.4 x 0.7 x 1.1m
- Travelling Machine Length: 7.48m
- Travelling Max Height: 2.8m
- Travelling Machine Width: 2.25m
- Working Machine Width: 4m
- Wheelbase: 3.75m



**NEWCASTLE: 0191 236 7120**  
Prosperous House, Eccleston Close, Backworth, Newcastle, NE27 0RX

[www.warrenaccess.co.uk](http://www.warrenaccess.co.uk)

**HUNTINGDON: 01480 891 581**

Unit 4D & 4E, Grange Farm, Abbots Ripton, Huntingdon, PE28 2PH